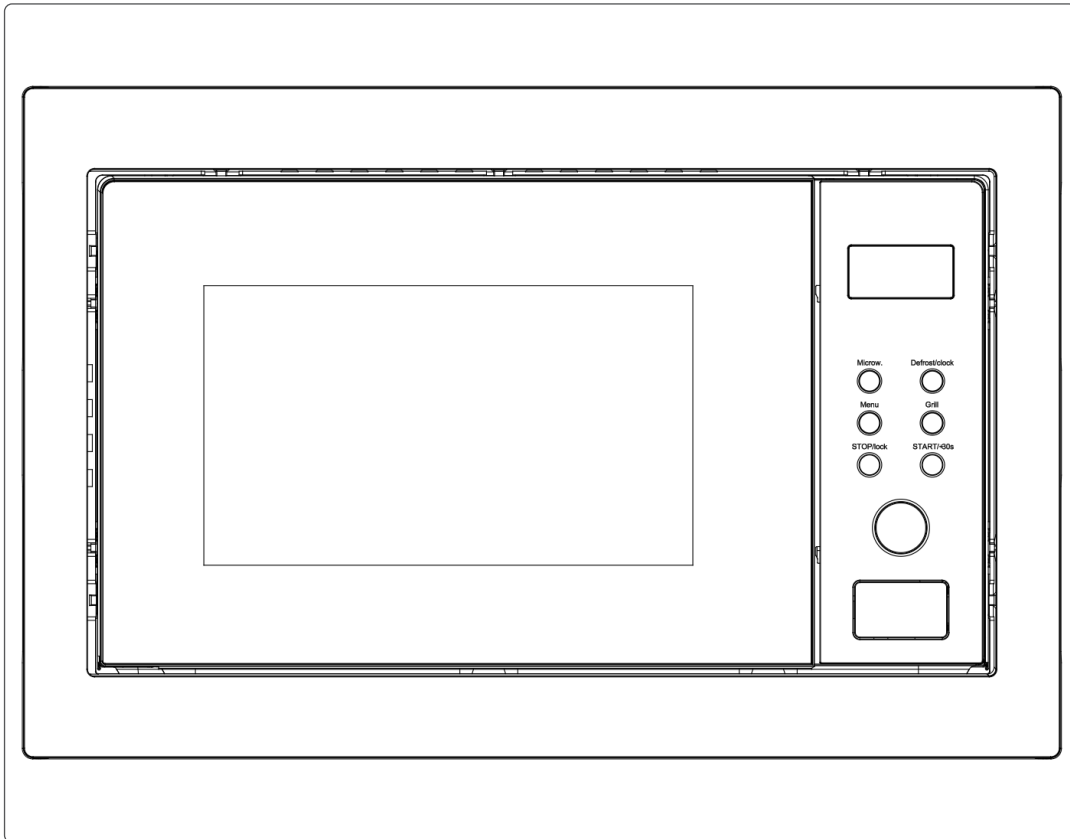




---

## Baridi 25L Integrated Microwave Oven with Grill, 900W, Stainless Steel



**Model No. DH197**

Thank you for purchasing a Dellonda product. Manufactured to a high standard, this product will, if used according to these instructions, and properly maintained, give you years of trouble free performance.

## Important Information

Please read these instructions carefully. Note the safe operational requirements, warnings & cautions. Use the product correctly and with care for the purpose for which it is intended. Failure to do so may cause damage and/or personal injury and will invalidate the warranty. Keep these instructions safe for future use.



Refer to  
instruction  
manual



Warning:  
Hot  
Surface

## SPECIFICATION

Model No: DH197

Capacity: 25L

Maximum Timer Setting: 60 Minutes

Power: 900W

Product Dimensions (WxDxH): 595 x 367.5 x 385mm

Type: Built in

## SAFETY INSTRUCTIONS

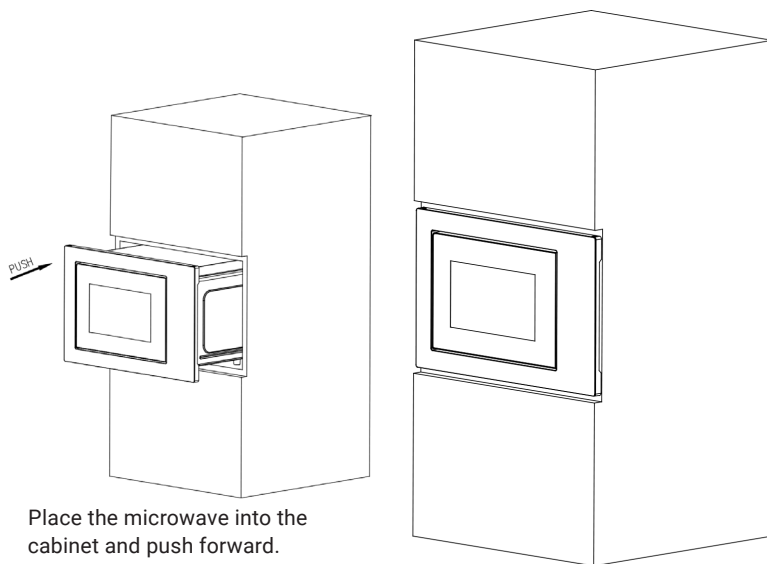
### • ELECTRICAL SAFETY

- **WARNING!** It is the user's responsibility to check the following:
- Check all electrical equipment and appliances to ensure that they are safe before using.
- Inspect power supply leads, plugs and all electrical connections for wear and damage.
- Ensure that the insulation on all cables and on the appliance is safe before connecting it to the power supply.
- **DO NOT** use worn or damaged cables, plugs or connectors.
- Ensure that any faulty item is repaired or replaced immediately by a Dellonda qualified technician.
- If the cable or plug is damaged during use, switch off the electricity supply and remove from use.
- Dellonda recommend that an RCD (Residual Current Device) is used with all electrical products.
- Important: Ensure that the voltage rating on the appliance suits the power supply to be used and that the plug is fitted with the correct fuse.
- **DO NOT** pull or carry the appliance by the power cable.
- **DO NOT** pull the plug from the socket by the cable.

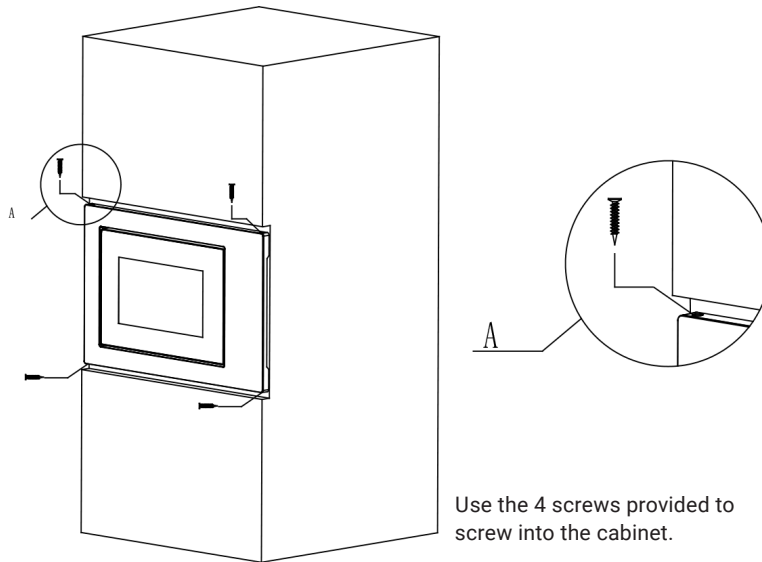
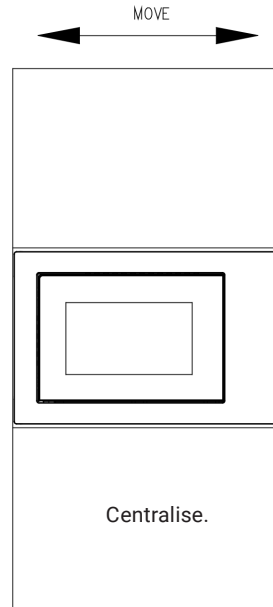
### • GENERAL SAFETY

- **WARNING!** If the door or door seals are damaged, the oven must not be operated until it has been repaired by a trained person.
- **WARNING!** It is hazardous for anyone other than a trained person to carry out any service or repair operation, which involves the removal of any cover, which gives protection against exposure to microwave energy.
- **WARNING!** Liquids or other food must not be heated in sealed containers since they are liable to explode.
- Only use utensils that are suitable for use in microwave ovens.
- Metallic containers for food and beverages are not allowed during microwave cooking.
- When heating food in plastic or paper containers, keep an eye on the oven due to the possibility of ignition.
- The microwave oven is intended for heating food and beverages. Drying of food or clothing and heating of warming pads, slippers, sponges, damp cloth and similar may lead to risk of injury, ignition or fire.
- If smoke is observed, switch off or unplug the appliance and keep the door closed in order to stifle any flames.
- Microwave heating of beverages can result in delayed eruptive boiling, therefore care has to be taken when handling the container.
- The contents of feeding bottles and baby food jars are to be stirred or shaken and the temperature is to be checked before consumption, in order to avoid burns.
- Eggs in their shell and whole hard boiled eggs shall not be heated in microwave ovens since they may explode, even after microwave heating has ended.
- Failure to maintain the oven in a clean condition could lead to deterioration of the surface that could adversely affect the life of the appliance and possibly result in a hazardous situation.
- Care should be taken not to displace the turntable when removing containers from the appliance.
- The appliance shall not be cleaned with a steam cleaner.
- Minimum height of free space necessary above the top surface of the oven: See the installation drawing on the next page.
- **WARNING!** When the appliance is operated in the combination mode, children should only use the oven under adult supervision due to the temperatures generated.
- **CAUTION: HOT SURFACES**
- If the supply cord is damaged, it must be replaced by the manufacturer or its service agent or a similarly qualified person in order to avoid a hazard.
- This appliance can be used by children aged from 8 years and above and persons with reduced physical, sensory or mental capabilities or lack of experience and knowledge if they have been given supervision or instruction concerning use of the appliance in a safe way and understand the hazards involved.
- Children shall not play with the appliance.
- Cleaning and user maintenance shall not be made by children without supervision.
- The plug must be easily accessible after installation of the appliance.
- This appliance must not be placed in a cabinet with a door.
- During use the appliance becomes hot. Care should be taken to avoid touching heating elements inside the oven.
- **WARNING!** Accessible parts may become hot during use. Young children should be kept away.
- Children less than 8 years of age shall be kept away unless continuously supervised.
- Do not use harsh abrasive cleaners or sharp metal scrapers to clean the oven door glass since they can scratch the surface, which may result in shattering of the glass.
- This appliance is intended to be used in household and similar applications such as: staff kitchen areas in shops and other working environments; farm houses; by clients in hotels, motels and other residential environments; bed and breakfast type environments.
- The appliance must not be installed behind a decorative door in order to avoid overheating.
- This appliance can be used by children aged from 8 years and above and persons with reduced physical, sensory or mental capabilities or lack of experience and knowledge if they have been given supervision or instruction concerning use of the appliance in a safe way and understand the hazards involved. Children shall not play with the appliance. Cleaning and user maintenance shall not be made by children without details indicating the correct installation of the shelves.

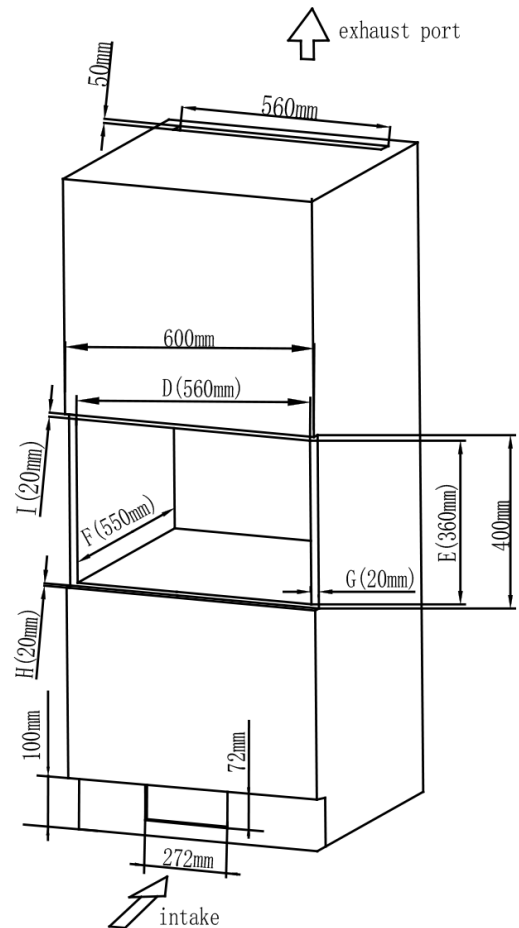
## INSTALLATION



Place the microwave into the cabinet and push forward.



Use the 4 screws provided to screw into the cabinet.



### • CABINET DETAILS

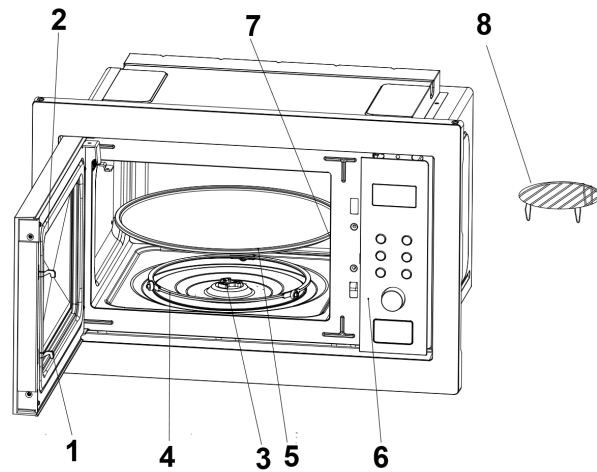
- Product size: (W) 595 x (H) 367.5 x (D) 385(mm)
- Opening size: (D)560±2 x (E)360±2 x (F)550±2 (mm) as shown in Fig.5 "D";"E";"F".
- G (The thickness of board): 20mm
- I (The thickness of board):20mm
- H: 20mm

## CLEANING

- **CAUTION:** The oven should be cleaned regularly and any food deposits removed.
- a. **WARNING!** Remove the mains plug from the mains supply before cleaning.
- **DO NOT** immerse the appliance in water or other fluids when cleaning. Allow to cool down.
- b. Failure to maintain the oven in a clean condition could lead to deterioration of the surface that could adversely affect the life of the appliance and possibly result in a hazardous situation.
- c. Never use strong detergent, gasoline, abrasive powder or metal brushes to clean any part of the appliance.
- d. **DO NOT** remove the waveguide cover.
- e. When the microwave oven has been used for a long time, there may be some strange odours in the oven, following 3 methods can get rid of them:
  - 1) Place several lemon slices in a cup, then heat with high micro power for 2-3 min.
  - 2) Place a cup of red tea in oven, then heat with high micro power.
  - 3) Put some orange peel into oven, and then heat them with high micro power for 1 minute.
- **WARNING!** Only allow children to use the oven without supervision when adequate instructions have been given so that the child is able to use the oven in a safe way and understands the hazards of improper use.

**TIPS FOR CLEANING**

- Details for cleaning door seals, cavity and adjacent parts:
- Exterior: Wipe the enclosure with a dampened soft cloth
- Door: Using a dampened soft cloth, wipe clean the door and window
- Wipe the door seals and adjacent parts to remove any spill or spatter
- Wipe the control panel with a slightly dampened soft cloth
- Interior walls:
- Wipe clean the cavity with a dampened soft cloth
- Wipe clean the waveguide cover to remove any food splashed
- Turntable/ Rotation ring/ Rotation axis:
- Wash with mild soap water
- Rinse with clean water and allow to dry.



**FEATURES**

- 1) Door lock
- Microwave oven door must be properly closed in order for it to operate.
- 2) Viewing window
- 3) Rotating ring
- The glass turntable sits on its wheels; it supports the turntable and helps it to balance when rotating
- 4) Rotating axis
- The glass turntable sits on the axis; the motor underneath it drives the turntable
- 5) Turntable
- The food sits on the turntable, its rotation during operation helps to cook food evenly - Place the rotating ring first - Fit the turntable onto the rotating axis and make sure that it is inserted properly
- 6) Control panel
- See diagram below.
- 7) Waveguide cover
- Inside, next to the wall of control panel. Never remove the waveguide cover.
- 8) Grill rack

**OPERATION**

- **WARNING! DO NOT** operate this microwave when empty, running a microwave without any food or liquid inside can cause damage to the appliance. Always ensure there is suitable content inside before use.
- 1. **BEFORE COOKING:** standby state and display shows 1:00.
- 2. **MICROWAVE FUNCTION**
- There are five firepower levels, 100P, 80P, 50P, 30P and 10P, respectively. Press the "Microw." button continuously and select the desired microwave power. Turn the knob to increase or decrease cooking time, the time range can be selected is from 0:10 to 60:00. Next select the time, press "START/+30s." button to start. A buzzing will sound to notify completion of the operation.

HIGH	100% power output	(Applicable for quick and thorough cooking)
M.High	80% power output	(Applicable for medium express cooking)
Med	50% power output	(Applicable for steaming food)
M. Low	30% power output	(Applicable for defrosting food)
LOW	10% power output	(Applicable for keeping warm)

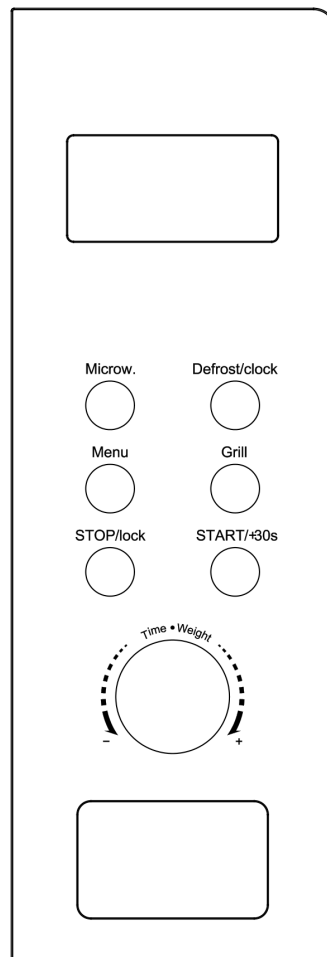
- The max time which can be set is 60 minutes
- b. Never operate the oven empty.
- c. At the maximum microwave power, the oven will automatically lower the power after a certain time of cooking to lengthen the service life.
- d. If you turn the food during operation, press the **START/+30s** button once and the preset cooking procedure will continue.
- e. If you intend to remove the food before the preset time, you must press **STOP/LOCK** button once to clear the preset procedure to avoid unintended operation of next time use.

**3. DEFROST/CLOCK**

**3.1 DEFROST**

- There are two defrost mode, dEF1 and dEF2, respectively. dEF1 for defrost by weight and dEF2 for defrost by time. Press this button to select defrost by weight or by time, and the display screen will display "dEF1" or "dEF2". Turn the knob to select food weight or defrost time. The optional weight range of dEF1 is from 100g to 1500g, and the optional time range of dEF2 is from 0:10 to 60:00. After selecting the defrost weight or time, press the "START/+30s" button to start. A buzzing noise will sound to notify completion of the operation. The dEF1 defrost mode by weight will have a beeping sound to prompt the food to be turned over during defrosting.
- Below is some food defrosting time advice:

dEF1	For defrosting, weight range 100 to 500g
dEF2	For defrosting, time range 0:10 to 60:00



- **CAUTION:**
- a. It is necessary to turn over the food during operation to obtain uniform effect.
- b. Usually defrosting will need a longer time than that of cooking the food.
- c. If the food can be cut by knife, the defrosting process can be considered completed.
- d. Microwave penetrates around 4cm into most food.
- e. Defrosted food should be consumed as soon as possible, it is not advised to put back to fridge and freeze again.
- 3.2 **CLOCK** (24-hour clock)
- In standby mode, press “**DEFROST/CLOCK**” button for more than 3 seconds to enter the clock setting interface. The display screen blinks in hours. The hour time can be set by turning the knob. After setting the hour, press the “**START/+30s**” button for a short time to switch to the minute setting mode. The minutes can be set by turning the knob. After setting minutes, press the “**START/+30s**” button again to exit the setting mode.
- 4. **AUTO COOKING**
- There are eight automatic menus A.1~A.8, potato, pasta, pizza, popcorn, vegetable, beverage, meat and fish respectively. Press the “Menu” button continuously to select the desired menu, the display screen corresponds to A.1 ~ A.8. Turn the knob to select the weight of the food. After selecting the cooking weight, press “**START/+30s**” button to start work. An buzzing noise will sound to notify completion of the operation.

Display	Food	Method
A.1	Potato	The optional weights are 250g, 500g and 750g
A.2	Pasta	The optional weights are 50g, 100g and 150g
A.3	Pizza	The optional weights are 200g and 400g
A.4	Popcorn	The optional weight is 100g
A.5	Vegetable	The optional weights are 200g, 400g and 600g
A.6	Beverage	The optional weights are 1 cup, 2 cups or 3 cups, each one about 250ml.
A.7	Meat	The optional weights are 200g, 400g and 600g
A.8	Fish	The optional weight are 200g, 400g and 600g

- **CAUTION:**
- a. The temperature of food before cooking should be 20-25°C. Higher or lower temperature of food before cooking would require an increase or decrease of cooking time.
- b. The temperature, weight and shape of food will largely influence the cooking effect. If any deviation has been found to the factor noted on above menu, you can adjust the cooking time for best result.
- 5. **GRILL FUNCTION**
- There are three modes of Grill: G., C-1 and C-2. They are grill, combination 1 of grill and microwave cooking and combination 2 of grill and microwave cooking. Press the “Grill” button continuously, select the desired mode and the display screen will corresponding display “G.”, “C-1” or “C-2”. Turn the knob to select the cooking time, and the time range that can be regulated is from 0:10 to 60:00. After selecting the cooking time, press the “**START/+30s**” button to start the work. A buzzing sound will notify completion of the operation.

G	Grill, the heat element will be energized during operation time. Which is applicable for rolling thin meats or pork, sausage, chicken wing as good brown colour can be obtained
C-1	Combination of grill and microwave cooking. 30% microwave and 70% grill.
C-2	Combination of grill and microwave cooking. 55% microwave and 45% grill.

- In the mode of grill, all of the oven parts, as well as the rack and cooking containers, may become very hot. Use caution when removing any item from the oven. Use heavy potholders or oven mitts to **PREVENT BURNS**.
- 6. **STOP**
- During cooking press “**STOP**” button to cancel the settings and return to standby state. In the process of microwave oven working, you can press “**STOP**” button to pause. In the standby state, press “**STOP**” button again to cancel the function and return to standby state.
- 7. **START/+30s**
- After setting the cooking time or food weight, press the “**START/+30s**” button to start the microwave oven immediately. In working state, you can press “**START/+30s**” button to increase time, press one time to increase 30 seconds, but the menu mode and weight defrosting mode times cannot be adjusted. In pause state, you can press “**START/+30s**” button to continue the microwave oven before cooking mode.
- 8. **EXPRESS**
- In standby mode, after the food is put in and the door is closed, press the “**START/+30s**” button to quickly start the microwave oven. The default working time is 30 seconds. Press the “**START/+30s**” button once for 30 seconds. An buzzing sound will notify completion of the operation.
- 9. **CHILD LOCK FUNCTION**
- Use this feature to lock the control panel when you are cleaning or so that children cannot use the oven unsupervised. All the buttons are rendered inoperable in this mode.
- 1) Set lock: In standby mode, press the “**STOP**” button for more than 3 seconds, the child lock function is locked, and all buttons of the microwave oven cannot be operated.
- 2) Cancel lock: In the child lock state, press the “**STOP**” button for more than 3 seconds to cancel the child lock function.
- After 15 minutes of no operation, the microwave will go into standby mode. The power consumption in standby mode does not exceed 0.8W.

## UTENSILS GUIDELINES

- It is strongly recommended to use the containers which are suitable and safe for microwave cooking.

- Generally speaking, the containers which are made of heat-resistant ceramic, glass or plastic are suitable for microwave cooking. Never use the metal containers for microwave cooking and combination cooking as sparking is likely to occur. See table below.

Container material	Microwave	Grill	Combi	Notes
Heat resistant ceramic	yes	yes	yes	Never use the ceramics which are decorated with metal rim or glazed
Heat resistant plastic	yes	no	no	Can not be used for a long time during microwave cooking
Heat resistant glass	yes	yes	yes	
Plastic film	yes	no	no	it should not be used when cooking meat or chops as the high temperature may do damage to the film
Grill rack	no	yes	yes	The grill rack can only be used in grill and combination mode
Metal container	no	no	no	It should not be used in microwave ovens. Microwaves can not penetrate through metal
Lacquer	No	no	no	Poor heat resistance. Can not be used for High temperature cooking
Bamboo wood and paper	No	no	no	Poor heat resistance. Can not be used for High temperature cooking

#### • COOKING TIPS

- The following factors may affect the cooking result:
- **Food arrangement**
- Place thicker areas towards outside of dish, the thinner part towards the centre and spread it evenly. Do not overlap if possible.
- **Cooking time length**
- Start cooking with a short time setting, evaluate it after it times out and extend it according to the actual need. Over cooking may result in smoke and burns.
- **Cooking food evenly**
- Food such as chicken, hamburger or steak should be turned once during cooking. Depending on the type of food, if applicable, stir it from outside to centre of dish once or twice during cooking.
- **Allow standing time**
- After cooking times out, leave the food in the oven for an adequate length of time, this allows it to complete its cooking cycle and cooling it down in a gradual manner.
- **Whether the food is done**
- Colour and hardness of food help to determine if it is done, these include:
  - - Steam coming out from all parts of food, not just the edge
  - - Joints of poultry can be moved easily
  - - Pork or poultry shows no signs of blood
  - - Fish is opaque and can be sliced easily with a fork
- **Browning dish**
- When using a browning dish or self-heating container, always place a heat-resistant insulator such as a porcelain plate under it to prevent damage to the turntable and rotating ring.
- **Microwave safe plastic wrap**
- When cooking food with high fat content, do not allow the plastic wrap come into contact with food as it may melt.
- **Microwave safe plastic cookware**
- Some microwave safe plastic cookware might not be suitable for cooking foods with high fat and sugar content. Also, the preheating time specified in the dish instruction manual must not be exceeded.

## MAINTENANCE

#### • SERVICING

- Please check the following before calling for services.
- 1. Place one cup of water (approx.150ml) in a glass measure in the oven and close the door securely. Oven lamp should go off if the door is closed properly. Let the oven work for 1 min.
- 2. Does the oven lamp light?
- 3. Does the cooling fan work?
- (Put your hand over the rear ventilation openings.)
- 4. Does the turntable rotate?
- (The turntable can rotate clockwise or counter clockwise. This is quite normal.)
- 5. Is the water inside the oven hot?
- If "**NO**" is the answer to any of the above questions, please check your wall socket and the fuse and distribution board.
- If both the wall socket and the fuse are functioning properly, contact Dellonda.

#### • SERVICING SAFEGUARDS

##### • CAUTION: MICROWAVE RADIATION

- 1. The high voltage capacitor remains charged after disconnection; short the negative terminal of H. V capacitor to the oven chassis (use a screwdriver) to discharge before touching.
- 2. During servicing below listed parts are liable to be removed and give access to potentials above 250V to earth.
- Magnetron
- High voltage transformer
- High voltage capacitor
- High voltage diode
- High voltage fuse

- 3. The following conditions may cause undue microwave exposure during servicing.
- Improper fitting of magnetron;
- Improper matching of door interlock, door hinge and door;
- Improper fitting of switch support;
- Door, door seal or enclosure has been damaged.

### **Environment Protection and Waste Protection and Electrical Equipment Regulations (WEEE)**

Recycle unwanted packaging materials. When this product is no longer required, or has reached the end of its useful life, please dispose of it in an environmentally friendly way. Drain any fluids (if applicable) into approved containers, in accordance with local waste regulations. It is our policy to continually improve products and we reserve the right to alter data, specifications and parts without prior notice. No liability is accepted for incorrect use of this product. Guarantee is 12 months from purchase date, proof of which is required for any claim.